






## Snap-In Glands without Thread, Polyamide

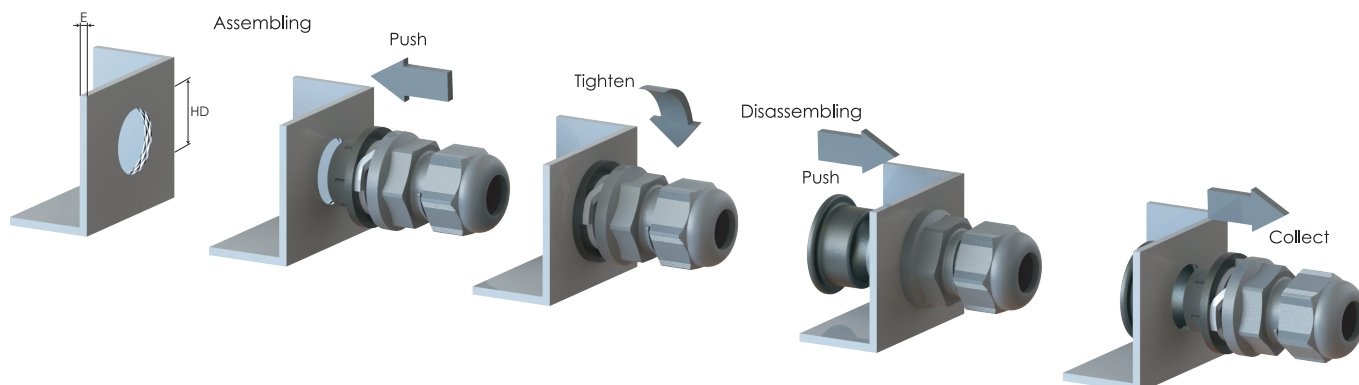
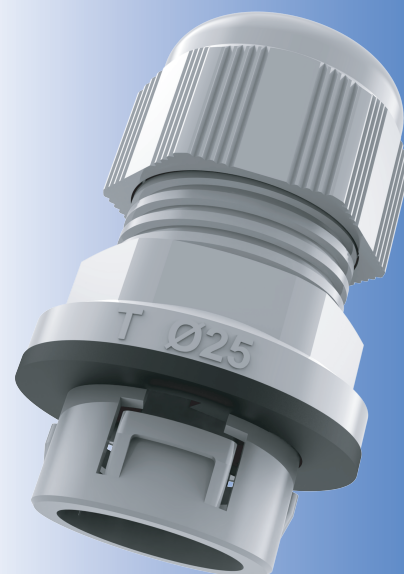
### Polyamide cable glands, without thread

- Designed for installation in tight spaces or areas with limited access to the rear (locknut side).
- Achieve up to 70% time savings compared to conventional cable glands during assembly.
- Ensures a secure connection without the risk of loosening under vibration or loss of the locknut.
- No locknut required for installation
- Suitable for wall thicknesses ranging from 0.5 mm to 4.0 mm.
- Suitable for both indoor and outdoor use in industrial environments
- Designed for use with non-armoured cables, conforming to EN 62444 and UL514B standards
- High protection against dust, moisture, and water ingress
- High tensile strength and reliable strain relief
- Wide cable clamping ranges for versatile applications
- Compatible with various sealing inserts (multihole, double seal, flat cable)
- Manufactured from halogen-free polyamide material

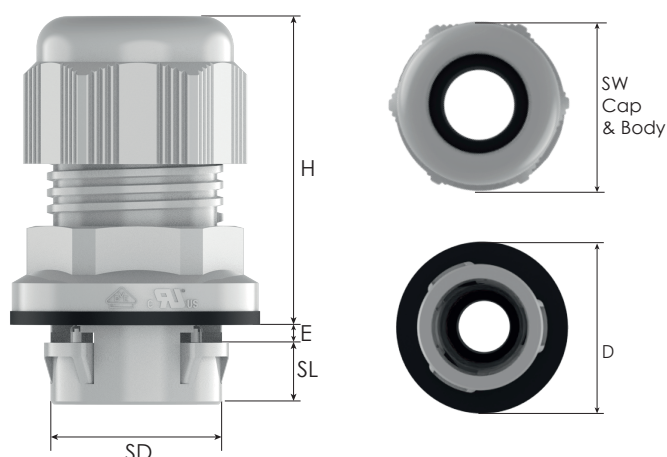
#### Technical Details

	<b>Body, Cap</b>	Polyamide 6 V2 acc. to UL 94	
<b>Material</b>	<b>Gasket</b>	Neoprene (Chloroprene)	
	<b>Seal</b>	Neoprene (Chloroprene)	
<b>Ingress Protection Rating</b>	IP 68 - 5 Bar, 30 min IP 66		
<b>Temperature Range</b>	<b>Permanent</b>	<b>Intermittent</b>	
	-20 °C to +100 °C	-40 °C to +150 °C	
<b>Cable Type</b>	Non armoured		
<b>Accessories</b>	<ul style="list-style-type: none"> <li>• Dome plugs</li> <li>• Reducing seals</li> <li>• Flat cable seals</li> <li>• Multihole seals</li> <li>• Disassembly tool</li> <li>• Quick assembly tool</li> <li>• Double seal</li> </ul>		
<b>Remarks</b>	<ul style="list-style-type: none"> <li>• Accessories must be ordered separately.</li> <li>• Other sealing materials available on request: NBR, Silicone</li> <li>• Disassembly tools (one included per Minimum Order Quantity)</li> </ul>		
<b>Colour</b>	RAL 5015 (blue) RAL 9003 (white) RAL 3020 (red)		
<b>Approvals</b>	<b>Certificate Number</b>	<b>Standards</b>	
	134171	DIN EN 62444	
	115116_0_000	CSA C22.2	
	E199260	UL514B CSA22.2 No 18.3-12 CSA22.2 No 94.2-15	
<b>TYPE 4X</b>		UL50E	
	SERCOVAM RES 107572	UL514B §8.26.7	
	E-14046	EN62444	

For more approvals: see our webpage.



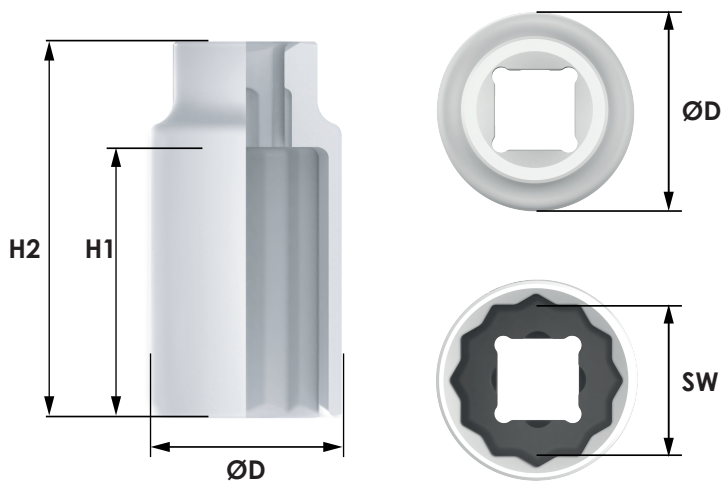
## Snap-In Glands without Thread, Polyamide



E = Enclosure Wall Thickness: 0,5mm to 4,0mm

Snap Size	Cable Ø	Seal Type	SL	SD Ø	Wall Hole Ø	SW 1/2	Outer Ø 'D'	Max. Height 'H'	Product Code		
									RAL 7035 light grey	RAL 7001 grey	RAL 9005 black
12	2,0 - 6,5	Double	9,0	11,9	12,2 - 12,4	15/15	20,9	38,1	BMOS-1S-DS	BMOS-0S-DS	BMOS-2S-DS
	3,0 - 6,5	Single	9,0	11,9	12,2 - 12,4	15/15	20,9	38,1	BMOS-1S	BMOS-0S	BMOS-2S
16	2,0 - 8,0	Double	9,2	15,0	16,2 - 16,4	19/19	23,9	39,1	BMOS-EU-11-DS	BMOS-EU-01-DS	BMOS-EU-21-DS
	4,0 - 8,0	Single	9,2	15,0	16,2 - 16,4	19/19	23,9	39,1	BMOS-EU-11	BMOS-EU-01	BMOS-EU-21
	3,0 - 10,0	Double	9,0	15,9	16,2 - 16,4	22/22	26,5	44,5	BMOS-DS-11	BMOS-DS-01	BMOS-DS-21
	5,0 - 10,0	Single	9,0	15,9	16,2 - 16,4	22/22	26,5	44,5	BMOS-11	BMOS-01	BMOS-21
20	5,0 - 12,0	Double	9,0	19,9	20,2 - 20,4	24/24	30,3	43,5	BMOS-DS-12	BMOS-DS-02	BMOS-DS-22
	3,0 - 13,0	Double	9,0	19,9	20,2 - 20,4	25/25	30,3	43,5	BMOS-EU-DS-12	BMOS-EU-DS-02	BMOS-EU-DS-22
	6,0 - 12,0	Single	9,0	19,9	20,2 - 20,4	24/24	30,3	43,5	BMOS-12	BMOS-02	BMOS-22
	7,0 - 13,0	Single	9,0	19,9	20,2 - 20,4	25/25	30,3	43,5	BMOS-EU-12	BMOS-EU-02	BMOS-EU-22
25	8,0 - 17,0	Double	9,0	24,9	25,2 - 25,4	29/29	36,3	45,5	BMOS-EU-DS-13	BMOS-EU-DS-03	BMOS-EU-DS-23
	11,0 - 17,0	Single	9,0	24,9	25,2 - 25,4	29/29	36,3	45,5	BMOS-EU-13	BMOS-EU-03	BMOS-EU-23
32	11,0 - 21,0	Double	10,7	31,9	32,2 - 32,4	36/36	43,2	50,3	BMOS-EU-DS-14	BMOS-EU-DS-04	BMOS-EU-DS-24
	15,0 - 21,0	Single	10,7	31,9	32,2 - 32,4	36/36	43,2	50,3	BMOS-EU-14	BMOS-EU-04	BMOS-EU-24
40	16,0 - 28,0	Double	13,2	39,9	40,2 - 40,4	46/46	55,2	58,0	BMOS-EU-DS-15	BMOS-EU-DS-05	BMOS-EU-DS-25
	19,0 - 28,0	Single	13,2	39,9	40,2 - 40,4	46/46	55,2	58,0	BMOS-EU-15	BMOS-EU-05	BMOS-EU-25

Snap Size	Cable Ø	SL	SD Ø	Wall Hole Ø	SW 1/2	Outer Ø 'D'	Height 'H'	RAL 7035	RAL 7001	RAL 9005
PG 7	3,0 - 6,5	9,0	11,9	12,5 - 12,7	15/15	20,7	34,1	BSOS-0S	BSOS-0S	BSOS-2S
PG 9	4,0 - 8,0	9,2	15,0	15,4 - 15,6	19/19	23,7	35,1	BSOS-11S	BSOS-01S	BSOS-21S
PG 11	5,0 - 10,0	10,0	17,5	18,6 - 18,8	22/22	26,5	41,2	BSOS-11	BSOS-01	BSOS-21
PG 13,5	6,0 - 12,0	9,0	19,9	20,4 - 20,6	24/24	30,3	41,5	BSOS-12	BSOS-02	BSOS-22
PG 16	10,0 - 14,0	10,0	21,6	22,5 - 22,7	27/27	30,5	39,8	BSOS-12S	BSOS-02S	BSOS-22S
PG 21	13,0 - 18,0	10,0	27,4	28,2 - 28,5	33/33	39,0	41,9	BSOS-13	BSOS-03	BSOS-23



## Quick Assembly Tool, Polyamide

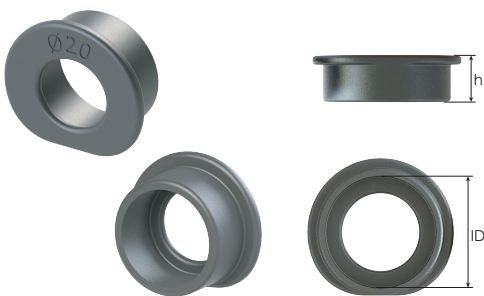
### Tool to quick assembly Snap-In Glands

#### Technical Details

Material Plastic

For Gland Size	ØD (mm)	H1 (mm)	H2 (mm)	SW (mm)	Product Code
12	22,0	36,0	53,5	15	PAT-15
16	27,0	39,0	56,5	19	PAT-19
16	30,0	46,0	63,5	22	PAT-22
20	32,0	45,0	62,5	24	PAT-24
20	33,0	45,0	62,5	25	PAT-25
25	38,5	47,0	64,5	29	PAT-29
32	46,0	54,0	71,5	36	PAT-36
40	58,0	59,0	76,5	46	PAT-46

For Gland Size	ØD (mm)	H1 (mm)	H2 (mm)	SW (mm)	Product Code
PG 7	22,0	36,0	53,5	15	PAT-15
PG 9	27,0	39,0	56,5	19	PAT-19
PG 11	30,0	46,0	63,5	22	PAT-22
PG 13,5	32,0	45,0	62,5	24	PAT-24



## Disassembly tool, Polyamide

### Tool to Disassembly Snap-In Glands

#### Technical Details

Material Plastic

For Gland Size	Inner Ø	Height	Part Number
	ID mm	h mm	
12	12,1	14,0	BEX-12
16S	15,2	14,0	BEX-16S
16	16,0	13,0	BEX-16
20	20,0	13,0	BEX-20
25	25,0	13,0	BEX-25
32	32,0	13,0	BEX-32
40	40,0	15,5	BEX-40

For Gland Size	Inner Ø	Height	Part Number
	ID mm	h mm	
PG 7	12,1	14,0	BEX-12
PG 9	15,2	14,0	BBEX-16S
PG 11	17,7	14,0	BNEX-3/8
PG 13,5	20,0	13,0	BEX-20
PG 16	21,8	14,0	BNEX-1/2
PG 21	27,8	14,0	BNEX-3/4